



SKU
SP-B110-L-QD

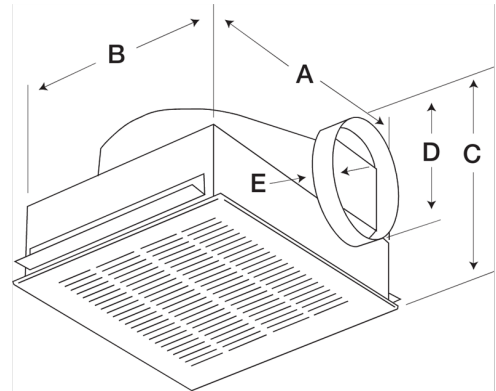
Job Name:
Mark:
Submitted By:
Date: 12/03/2022

Lighted Bathroom Exhaust Fan, Product # SP-B110-L-QD, 50-133 CFM



Low profile bathroom exhaust fan, Model SP-B features a forward-curved wheel for low sound and high efficiency. Units feature a lighted grille and are ideal for residential, multi-family or hotel applications.

- Compact size for height restricted areas
- Round standard outlet for quick, easy connections
- Integral damper prevents unwanted backdrafts
- Speed controllable
- Designer grille included

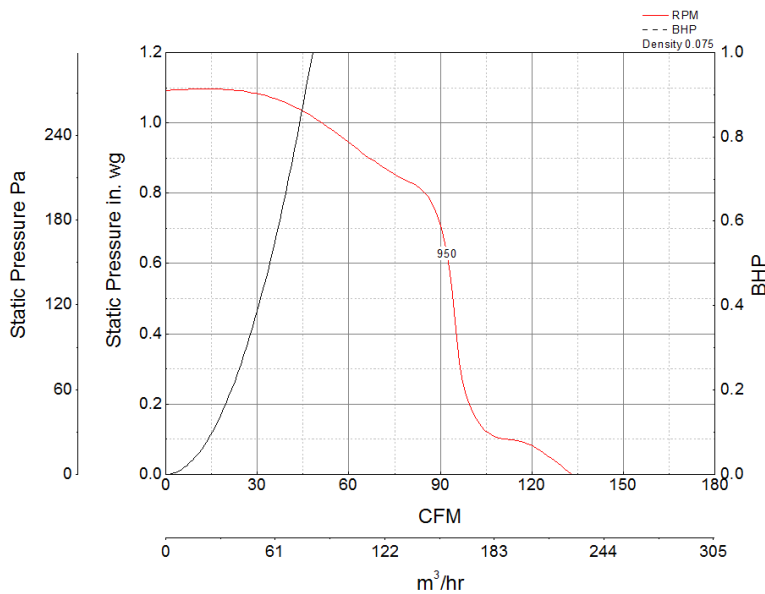


A	B	C	D	E
13.875 in	11.5 in	7 in	6 in	1.25 in

Certifications

AMCA Air & Sound
UL/cUL 507

Performance Characteristics



Construction Features

Housing Material	Galvanized Steel
Drive Type	Direct Drive
Impeller Type	Centrifugal Wheel
Impeller Material	Polypropylene
Includes	Backdraft damper Lighted grille Mounting brackets
Certifications	AMCA Air & Sound UL/cUL 507
Speed Controllable	Yes

Motor Information

Motor Insulation	B
Motor Phase	1
Service Factor	1
Voltage	115
Hertz	60
Motor Enclosure	n/a
RPM	950
Thermal Protection	Auto
Nominal Efficiency	12
Watts	8

Air and Sound Performance

Watts	Max Fan RPM	Min Fan RPM	Ps (in. wg)	0	0.125	0.25	0.375	0.5	0.625	0.75	0.875	1
80.2	950	760	CFM	133	110	97	95	94	91	85	72	50
			Sones	1.5	1.5	2	2	2	3	3.5	4	4.5



- Greenheck Fan Corporation certifies that the SP models shown herein are licensed to bear the AMCA seal.
- The ratings shown are based on tests and procedures performed in accordance with AMCA Publication 211 and AMCA Publication 311 and comply with the requirements of the AMCA Certified Ratings Program.
- The SP models are not AMCA certified with 50 hertz motors.

California Residents

 **WARNING**

This product can expose you to chemicals including cadmium used in the processing of corrosion resistant metal and fasteners, which is known to the State of California to cause cancer and birth defects or other reproductive harm. For more information visit www.P65Warnings.ca.gov